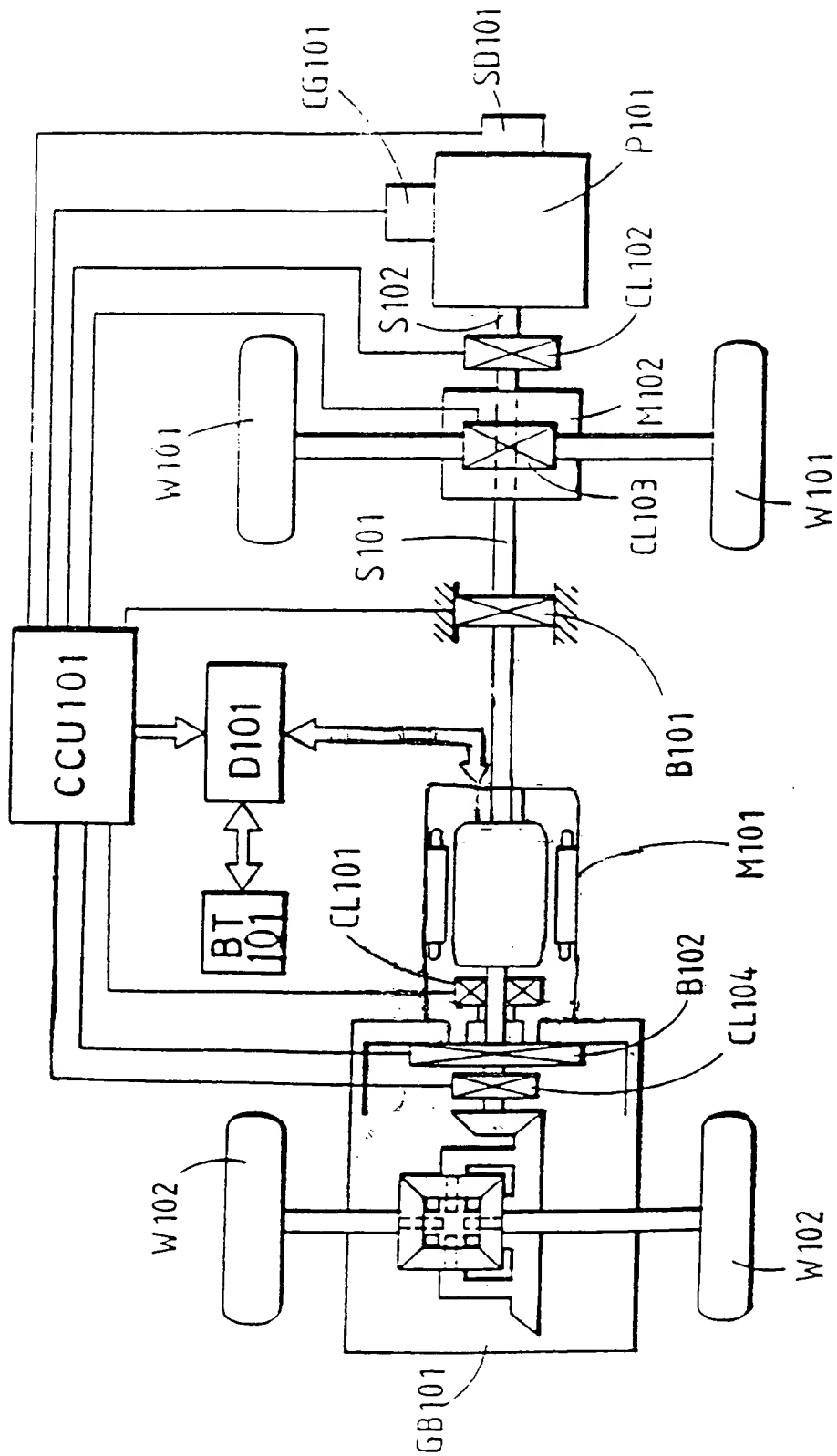
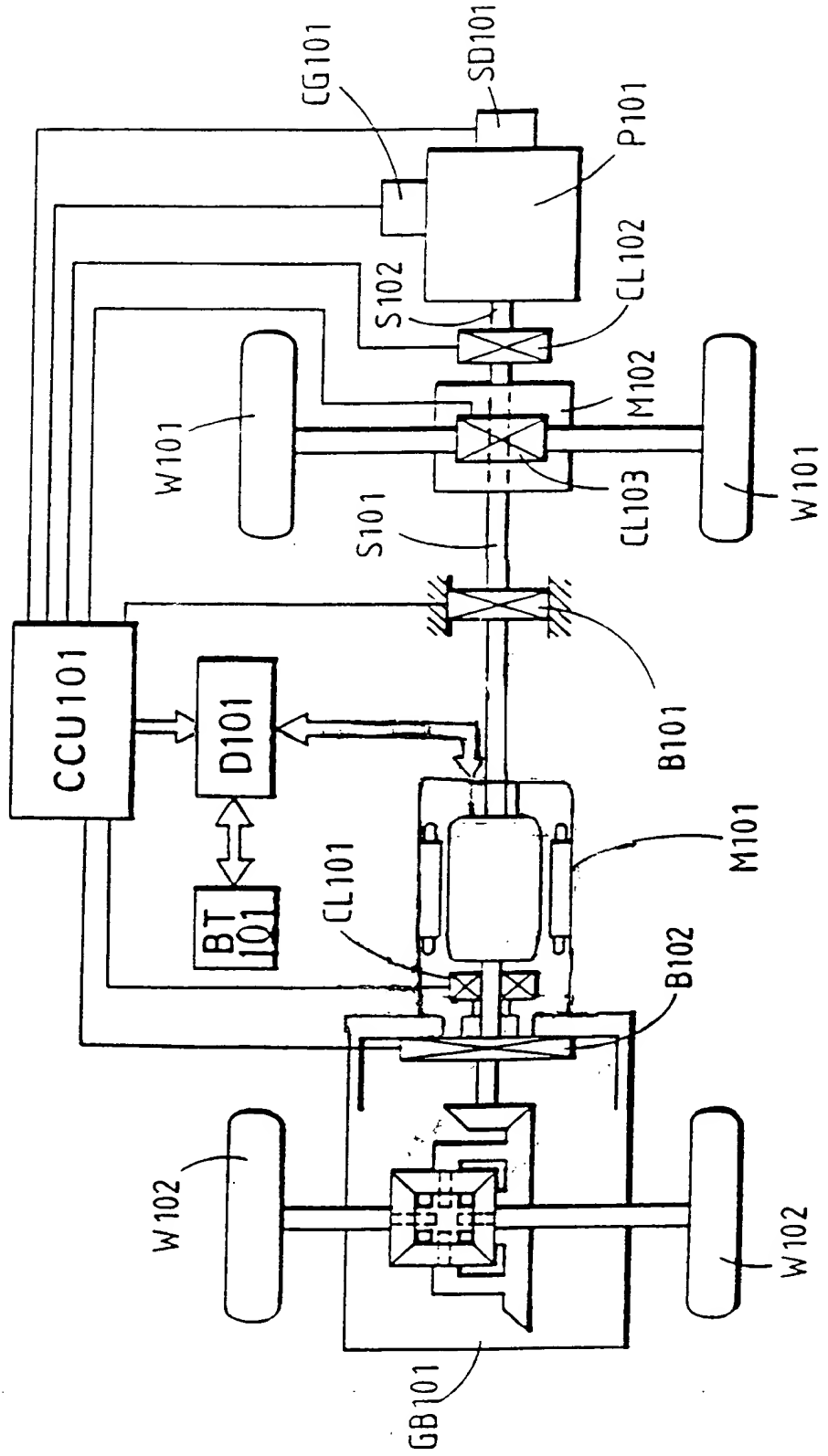


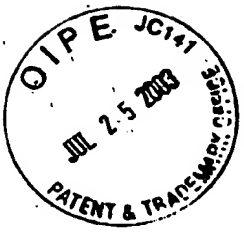


AMENDED FIG. 1

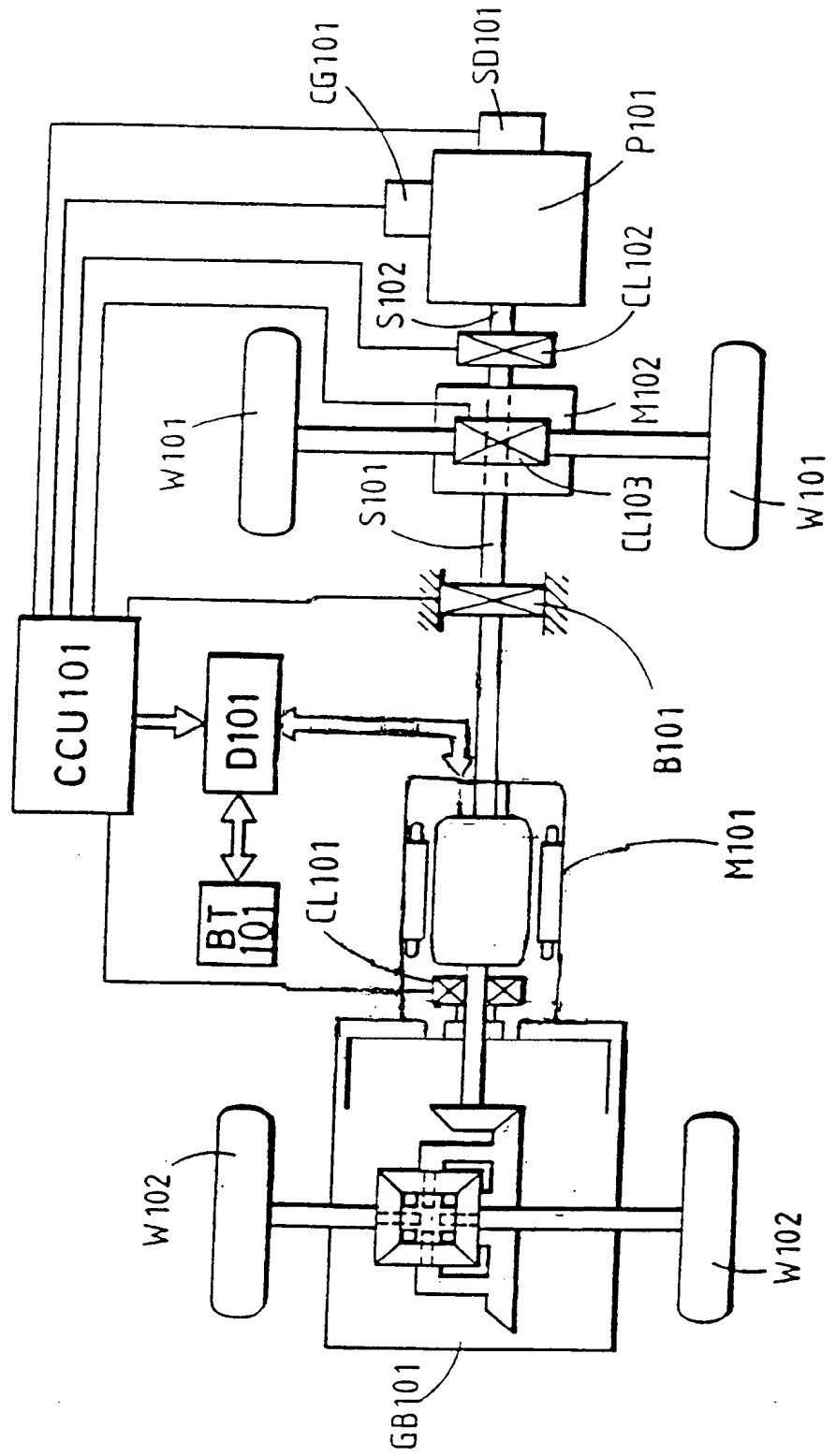


AMENDED FIG. 2



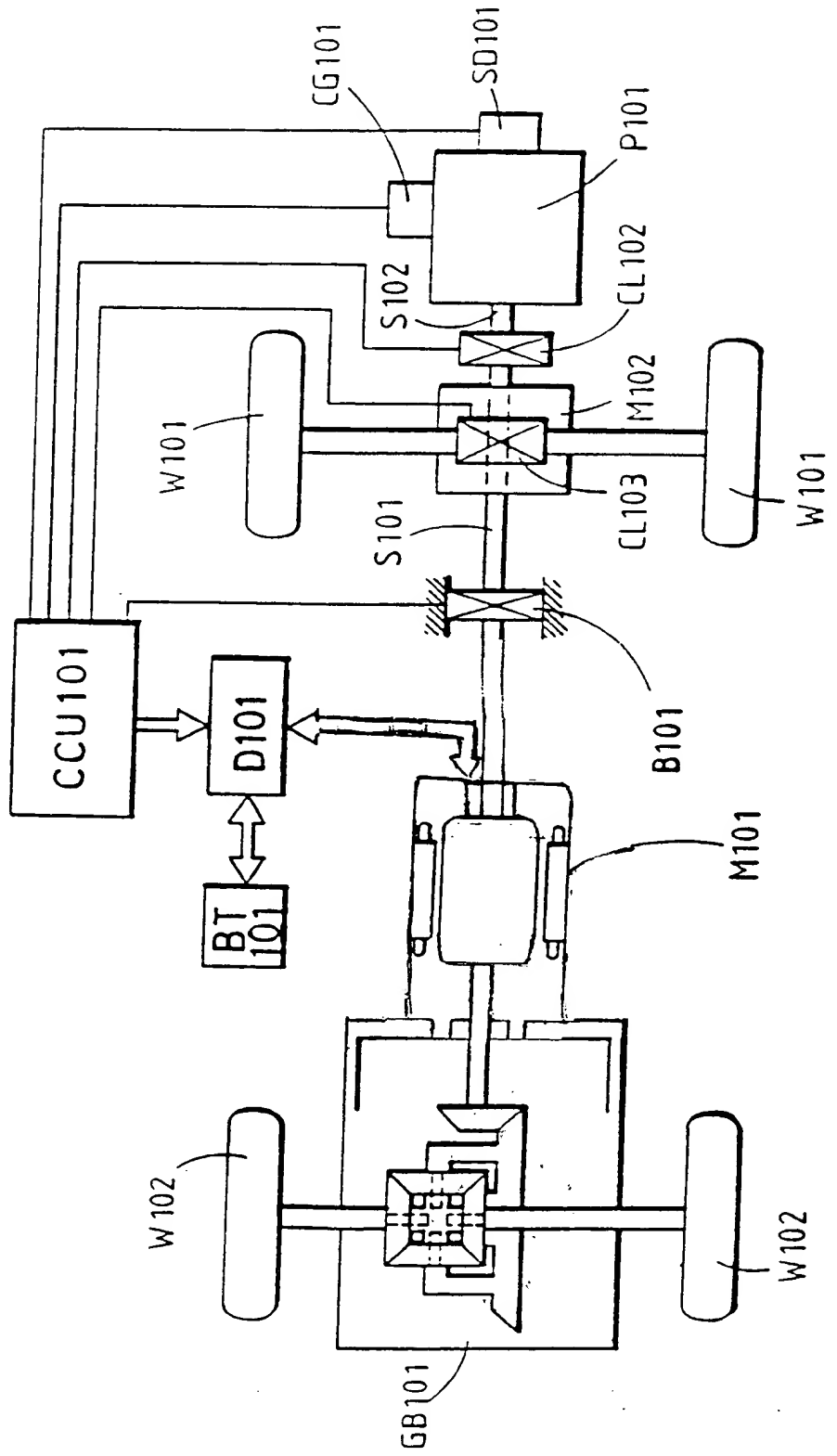


AMENDED FIG. 3



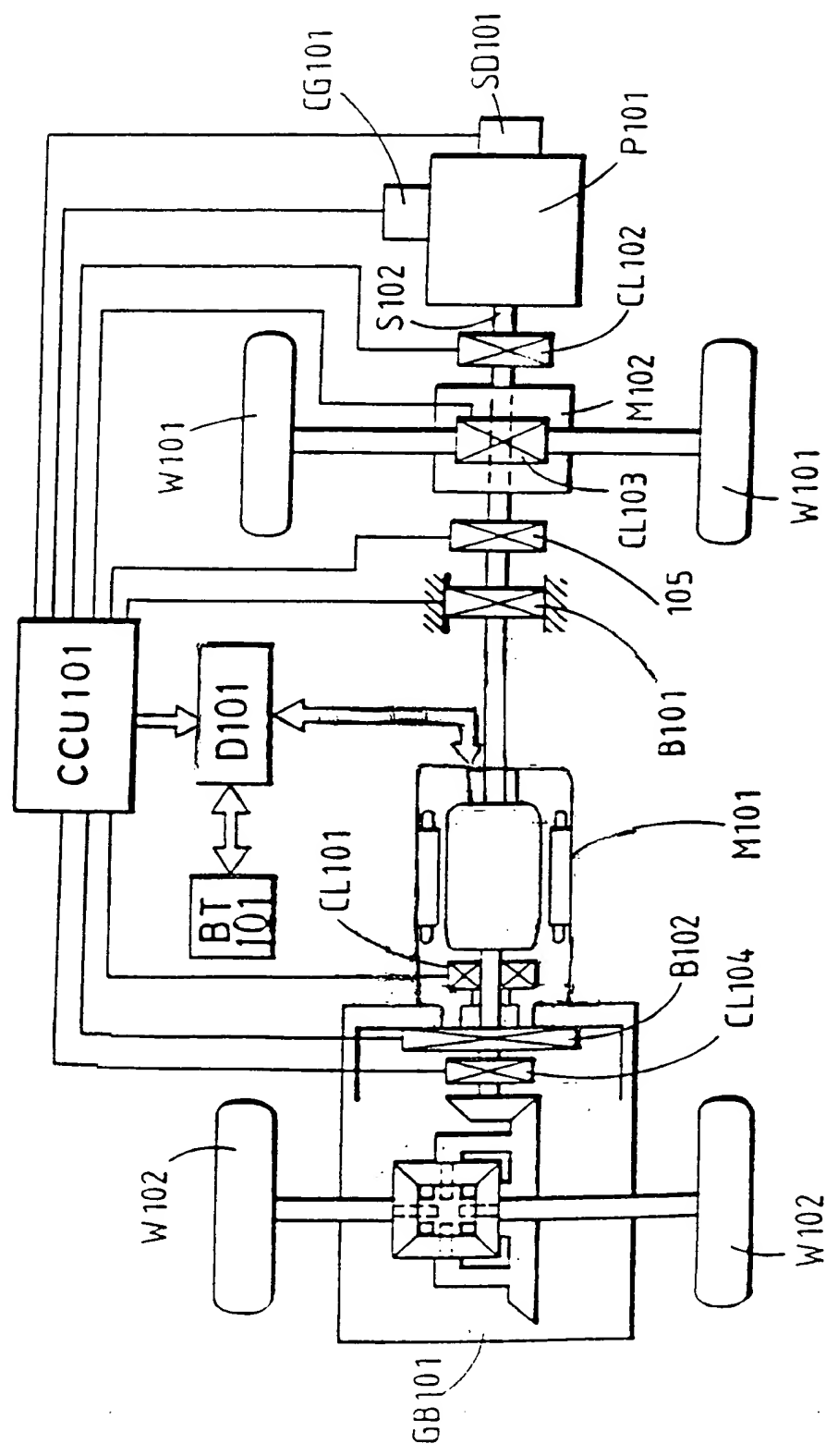


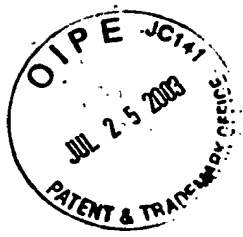
AMENDED FIG. 4



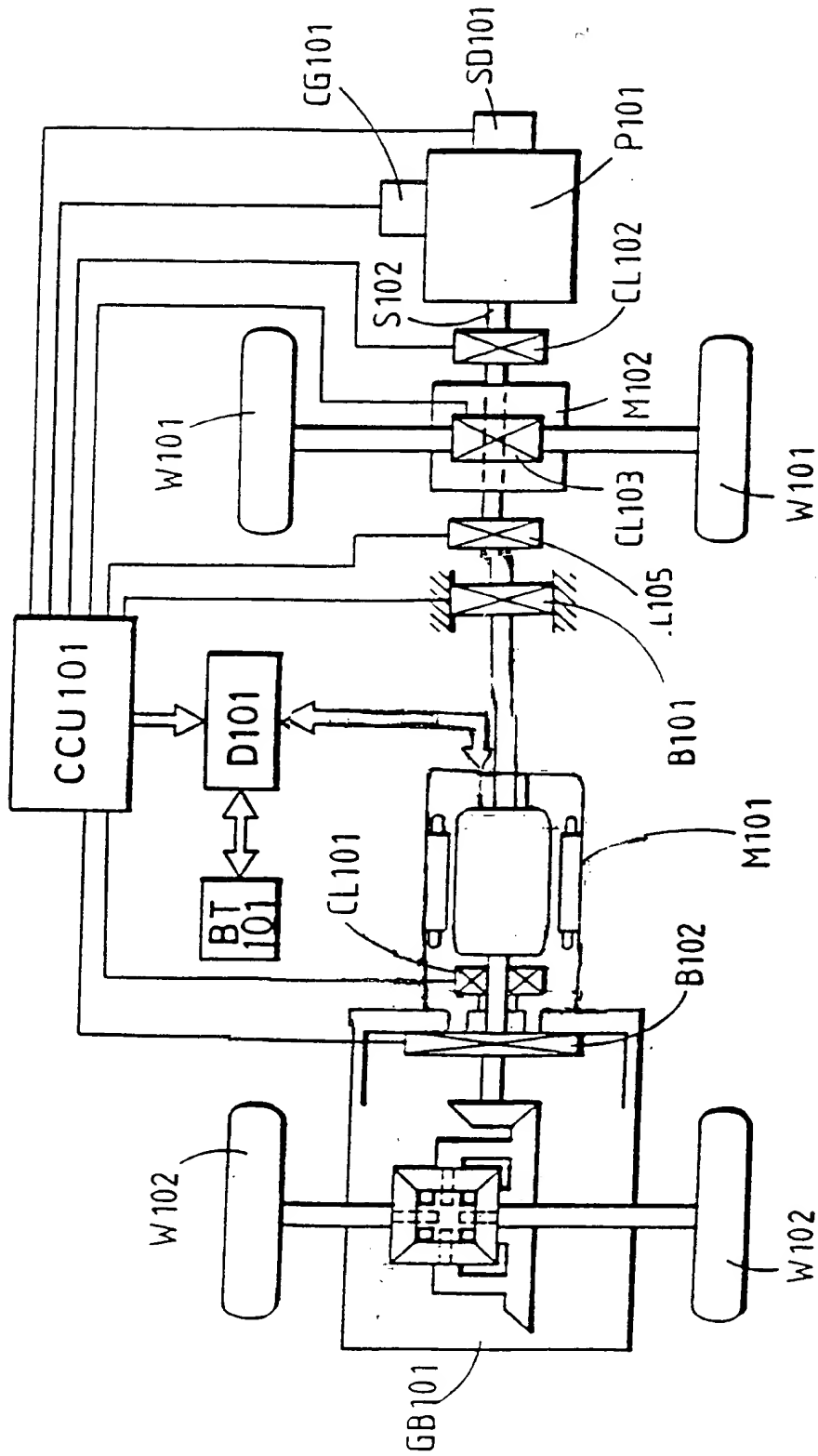
O'PIPE JCI41
JUL 25 2003
PATENT & TRADEMARK OFFICE

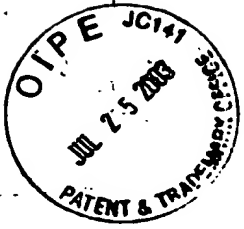
AMENDED FIG. 5



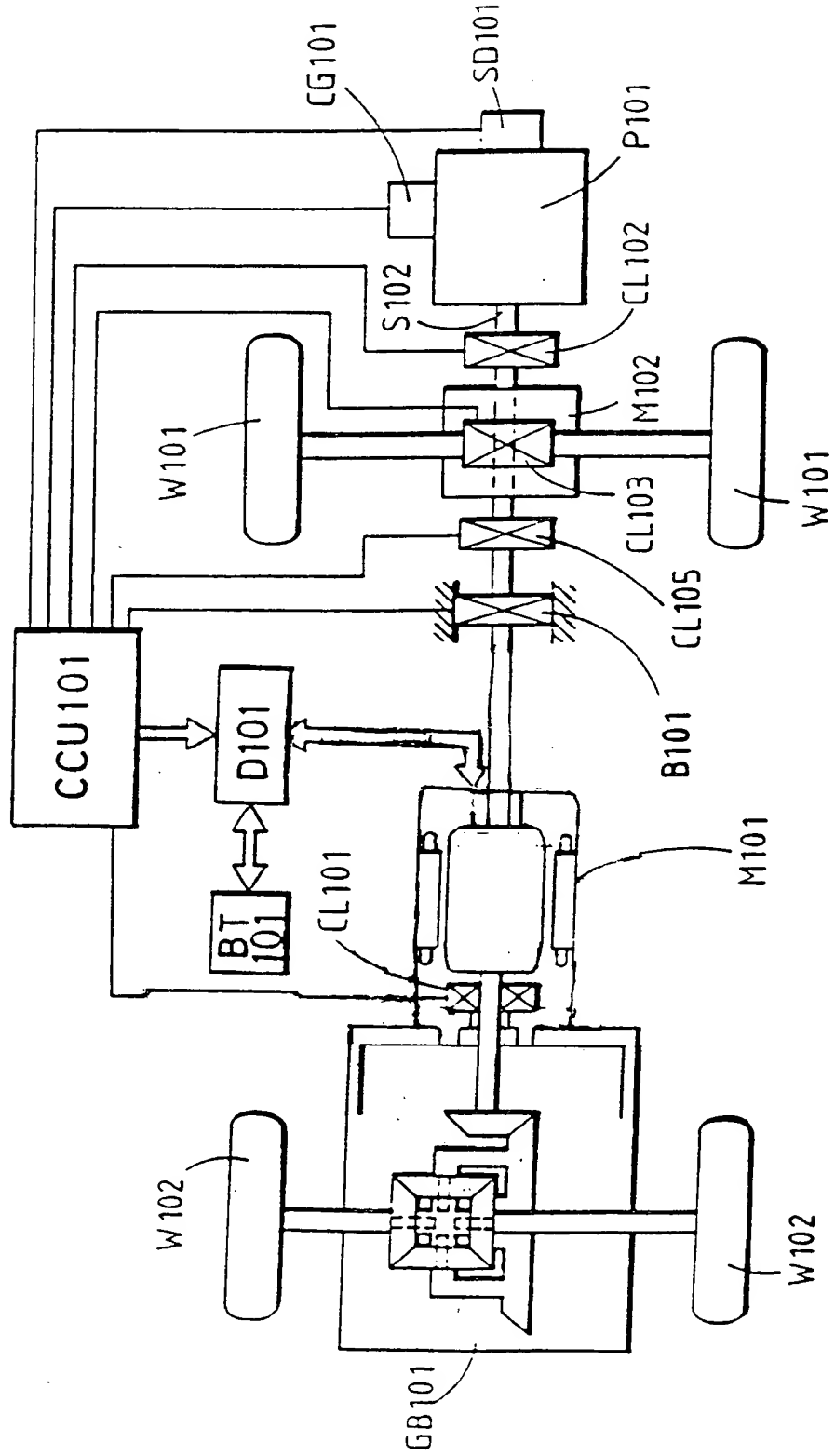


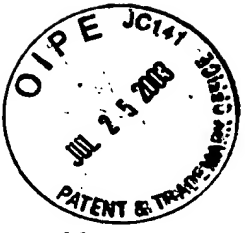
AMENDED FIG. 6





AMENDED FIG. 7





AMENDED FIG. 8

